

VRG-1

**Video Referenced
AES/Word Clock
Generator**



In video applications, digital audio sample clocks must be locked to a video reference. The VRG-1 provides a means to do so, easily and cost effectively. This module produces word clock and silent AES outputs that are locked to an NTSC or PAL reference input. Use the VRG-1 in conjunction with the SoundPals ADC-24, DMIC-24, DTG-1 or ADAT-3 modules, or with any other digital audio equipment that requires an AES or word clock reference signal that is locked to video.

Like all of the SoundPals line, the VRG-1 is housed in a compact, rugged aluminum enclosure.

**Now!
7 Year
Warranty
on
SoundPals**

NAB-97 Pick Hit Awards
Awarded to
Graham-Patten SoundPals
for
Outstanding Technical Achievement

Features:

- **Looping video input accepts NTSC or PAL video, color black, or sync**
- **Outputs for word clock, silent AES3, and silent AES3id**
- **Internal crystal oscillator provides stable 48 kHz reference in the absence of an input signal**
- **Dipswitch selection of mute outputs or revert to internal reference upon loss of input signal**
- **Alarm output to warn of loss of input signal**
- **Compact size:
5.2"W x 1.62"H x 6.625"D
(15.2 x 4.1 x 16.8 cm)
less connectors**

TECHNICAL DATA

Video input	Hi-z looping, minimum 0.25V p-p sync component, maximum 2V p-p sync or video
Frequency lock range	± 200 ppm
Sample rate	48kHz
Word clock output	4.5 to 5V p-p
AES3 output	4V p-p, 110 Ω balanced
AES3id output	1V p-p, 75 Ω unbalanced
Alarm output	+5V @ 25mA
Power	150mA @ 6Vdc

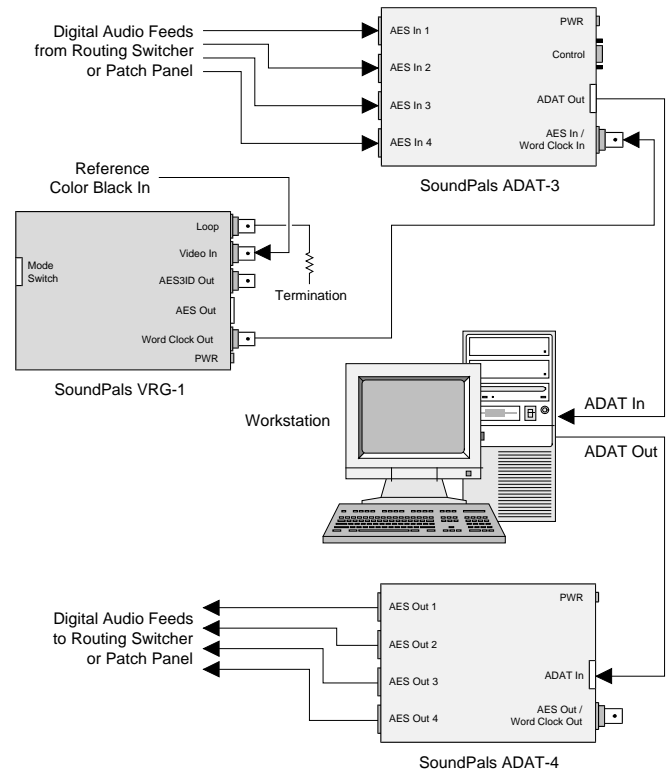
OPTIONS

RT-2	1RU rack tray for mounting up to 3 units with power supply
PSU-1	90-260V 50/60Hz power supply with detachable IEC power cord



APPLICATION DIAGRAMS

There are many uses for SoundPals in music recording, radio or television broadcasting, DVD/CD/CR-ROM mastering, and video production and post-production.



In this configuration, 4 AES channels (from a facility routing switcher or patch panel) are routed to the ADAT-3 for conversion to the ADAT format. A standard analog house reference signal (from a routing switcher or a dedicated feed) provides the video that locks the ADAT-3 via the VRG-1, thus synchronizing the AES signals to video. Once the segment is completed on the workstation, the ADAT-4 converts it back to AES format, for routing in the facility.

Your local Graham-Patten Distributor: